

Varistor Type MYG

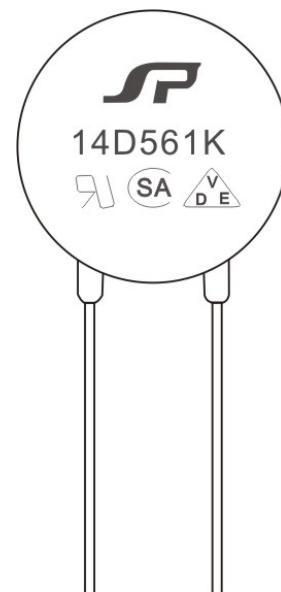
Type MYG Varistors are made of semiconductor ceramic materials composed mainly of zinc oxide. They have non-linear resistance that changes as a function of applied voltage. It has small size, high current capacity, and high protection level.

Features

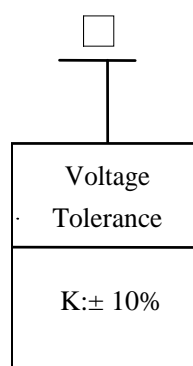
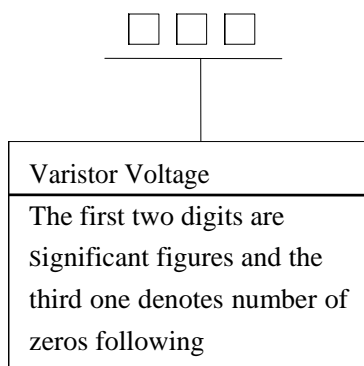
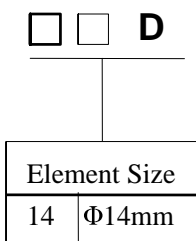
- > Wide Varistor voltage range (18V~1800V)
- > Excellent non-linearity and protection level
- > Large withstanding surge current
- > Fast response ($\leq 20\text{ns}$)

Recommended Applications

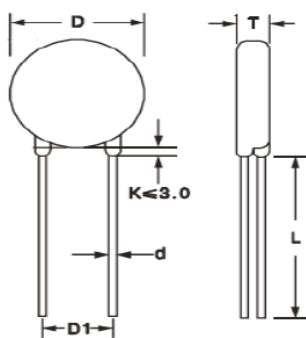
- > Protection of semiconductors
- > Surge protection of consumer equipment
- > Surge protection of communication, measuring or controller instrument
- > Relay or electromagnetic Valve surge absorption



Explanation of Part Numbers



Dimension



Range of voltage (V)	Dimensions(mm)				
	D max	T max	L min	d±0.1	D1± 1.0
18 - 68	17.0	3.6~5.4	25	0.8	7.5
82 - 1800	16.5	4.4~15.2	25	0.8	7.5

Specification and Electrical Characteristics

Part Number	Maximum Allowable Voltage		Maximum Energy	Withstanding Surge Current 8/20 μ s		Rated Wattage	Varistor Voltage	Maximum Clamping Voltage
	Acrms (V)	DC (V)	10/100 μ S (J)	1 time	2times		V_{1mA} (V)	V_{50A} (V)
				(A)		(W)		
14D182K	1000	1465	336.0	4500	2500	0.6	1800(1620-1980)	2970
14D152K	750	1300	266.0				1500(1350-1650)	2475
14D112K	680	895	217.0				1100(990-1210)	1815
14D102K	625	825	217.0				1000(900-1100)	1650
14D911K	550	745	217.0				910(819-1001)	1500
14D821K	510	670	203.0				820(738-902)	1355
14D781K	485	640	203.0				780(702-858)	1290
14D751K	460	615	203.0				750(675-825)	1240
14D681K	420	560	168.0				680(612-748)	1120
14D621K	385	505	168.0				620(558-682)	1025
14D561K	350	460	149.8				560(504-616)	920
14D511K	320	415	149.8				510(459-561)	845
* 14D471K	300	385	149.8				470(423-517)	775
14D431K	275	350	145.6				430(387-473)	710
14D391K	250	320	134.4				390(351-429)	650
14D361K	230	300	123.2				360(324-396)	595
14D331K	210	275	112.0				330(297-363)	550
14D301K	190	250	103.2				300(270-330)	505
* 14D271K	175	225	93.8				270(243-297)	455
14D241K	150	200	82.6				240(216-264)	395
14D221K	140	180	79.8				220(198-242)	360
14D201K	130	170	79.8				200(180-220)	330
14D181K	115	150	58.8				180(162-198)	300
14D151K	95	125	51.8				150(135-165)	250
14D121K	75	100	40.6	120(108-132)	200			
14D101K	60	85	33.6	100(90-110)	165			
* 14D820K	50	65	29.4	82(74-90)	135			
14D680K	40	56	23.8	68(61-75)	*135			
14D560K	35	45	19.6	56(50-62)	*110			
* 14D470K	30	38	16.8	47(42-52)	*93			
14D390K	25	31	13.2	39(35-43)	*77			
14D330K	20	26	12.3	33(30-36)	*65			
14D270K	17	22	9.7	27(24-30)	*53			
14D220K	14	18	7.6	22(20-24)	*43			
14D180K	11	14	6.6	18(15-21)	*38			

- Note:**
- 1、* Stand for commonly used models
 - 2、Varistor voltage is measured at 0.1 mA for 05D, and at 1 mA for 07D, 10D, 14D, 20D, respectively.
 - 3、Operating Temperature Range: $-40^{\circ}\text{C} \sim +85^{\circ}\text{C}$
Storage Temperature Range: $-40^{\circ}\text{C} \sim +125^{\circ}\text{C}$